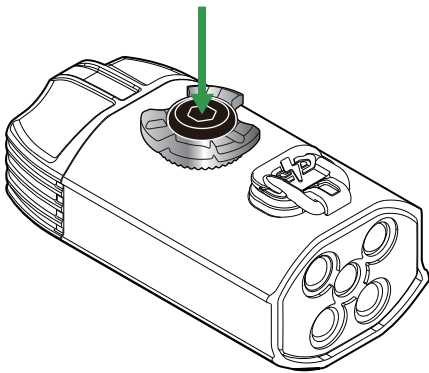
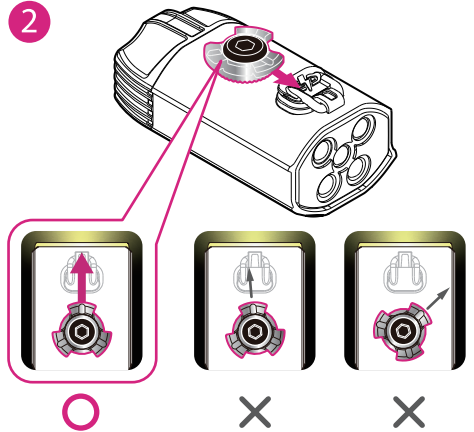


1

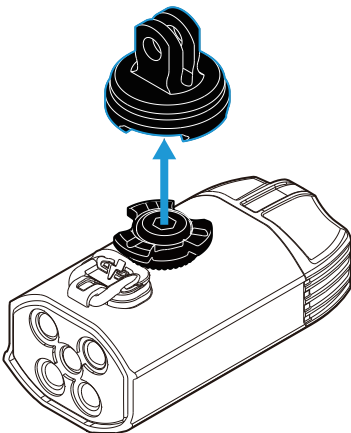
Tightening Torque:  
4 ~ 5N·m



2



3



4

